

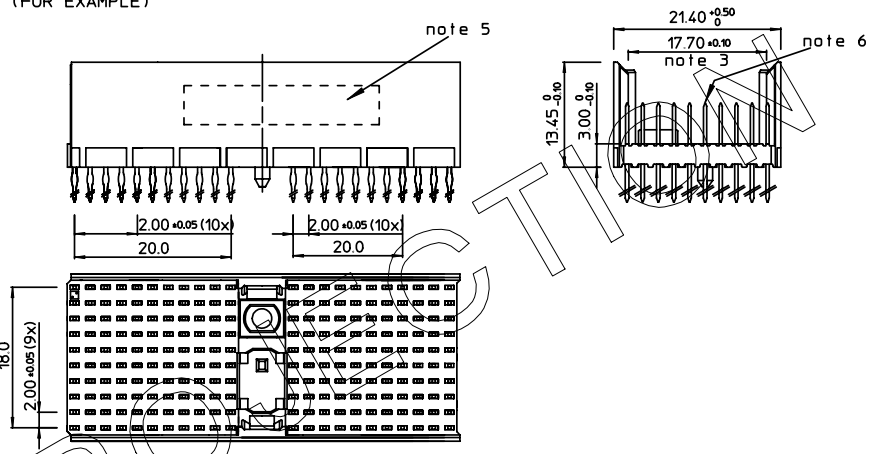
REV.	DATE	DESCRIPTION	BY	C'K'D'
A	2001-09-14	CONVERSION REVISION 01	KN	
B	2005-10-25	105-0201	VIVEK	BKP
C	2006-08-03	106-0119	VIVEK	BKP

LOADING PATTERN MATING SIDE

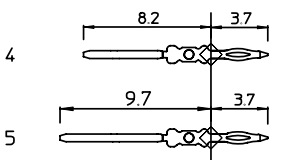
y	5	5	5	5	5	5	5	5	5	5	5	5	5	5	5	5	5	5	5	5		5	5	5	5	5	5	5	5	5	5	5	5	5	5	5	5	5	5	5			
h	5	5	5	5	5	5	5	5	5	5	5	5	5	5	5	5	5	5	5	5		5	5	5	5	5	5	5	5	5	5	5	5	5	5	5	5	5	5	5	5		
g	4	4	4	4	4	4	4	4	4	4	4	4	4	4	4	4	4	4	4		4	4	4	4	4	4	4	4	4	4	4	4	4	4	4	4	4	4	4	4	4	4	
f	4	4	4	4	4	4	4	4	4	4	4	4	4	4	4	4	4	4	4		4	4	4	4	4	4	4	4	4	4	4	4	4	4	4	4	4	4	4	4	4	4	
e	4	4	4	4	4	4	4	4	4	4	4	4	4	4	4	4	4	4	4		4	4	4	4	4	4	4	4	4	4	4	4	4	4	4	4	4	4	4	4	4	4	4
d	4	4	4	4	4	4	4	4	4	4	4	4	4	4	4	4	4	4	4		4	4	4	4	4	4	4	4	4	4	4	4	4	4	4	4	4	4	4	4	4	4	4
c	4	4	4	4	4	4	4	4	4	4	4	4	4	4	4	4	4	4	4		4	4	4	4	4	4	4	4	4	4	4	4	4	4	4	4	4	4	4	4	4	4	4
b	4	4	4	4	4	4	4	4	4	4	4	4	4	4	4	4	4	4	4		4	4	4	4	4	4	4	4	4	4	4	4	4	4	4	4	4	4	4	4	4	4	4
a	5	5	5	5	5	5	5	5	5	5	5	5	5	5	5	5	5	5	5		5	5	5	5	5	5	5	5	5	5	5	5	5	5	5	5	5	5	5	5	5	5	5
z	5	5	5	5	5	5	5	5	5	5	5	5	5	5	5	5	5	5	5		5	5	5	5	5	5	5	5	5	5	5	5	5	5	5	5	5	5	5	5	5	5	5
POS	0	1	0	5	1	0	1	5	2	0	1	5	2	0	1	5	2	0	1		5	0	1	5	2	0	1	5	2	0	1	5	2	0	1	5	2	0	1	5	2	0	1

SHEET NR. : 14

LOADED CONNECTOR ASSEMBLY  
(FOR EXAMPLE)

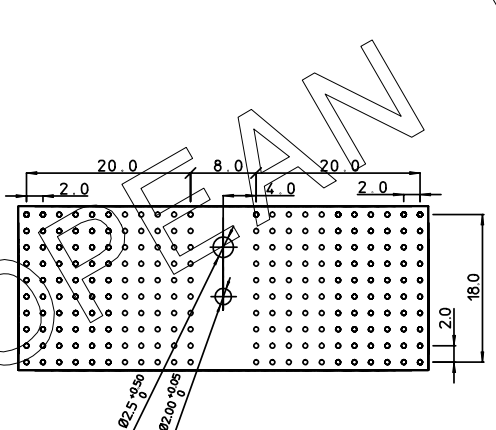


CONTACT OVERVIEW



SEATING PLANE FOR CONNECTOR

LAY-OUT P.C.B.-HOLE




LEAD FREE INDICATOR : LF = LEAD FREE (DIGIT 15 & 16)

HM2P87PD8 1H5

PLATING CODE (DIGIT 13 AND 14)  
(REF DWG No. BS,C ,201844,003)

NOTES:

- THIS PRODUCT IS CSA APPROVED.
- THIS PRODUCT IS UL RECOGNIZED.
- MEASURED AT THE BOTTOM.
- MATERIAL CONTACT: PHOSPHORBRONZE  
HOUSING: CREAM WHITE GLASSFILLED POLYESTER UL-94V0
- CONNECTOR PRINTED WITH P/N AND DATE CODE.
- FOR ACTUAL CONTACT LOADINGS, SEE LOADING PATTERN MATING SIDE.
- SHAPE OF CONNECTOR HOUSING CAN ALTER DEPENDING ON PRODUCTION LOCATION.
- THE PRODUCT (LF) MEETS EUROPEAN UNION DIRECTIVES AND OTHER COUNTRY REGULATIONS AS DESCRIBED IN GS-22-008
- FOR RECOMMENDED PTH DIMENSIONS REFER DRAWING : BS,A ,201572,001

1DEC ±0,2 2DEC ±0,1 ANGLES ±1°	APPR.	DATE	SIGN.	LOADING PATTERN OVERVIEW (8+2 ROW)
WE RESERVE THE RIGHT TO CHANGE DIMENSIONS OR REQUIREMENTS WITHOUT PRIOR NOTICE.	DRAFT	1997-03-10	W.Panis	CAT. No. HM2P87PD8 1H5----
ALL DIMENSIONS IN MM	CHECKED			SCALE
	PROD. MGR.			 www.fciconnect.com
	PR. ENG. MGR.			
	PR. MGT. MGR.			REFERENCES
				BS,C ,202175,014 C
				DRAWING No. CUSTOMER DRAWING REVISION

THIS IS OUR EXCLUSIVE PROPERTY. IT IS NOT TO BE COPIED, REPRINTED OR DISCLOSED TO A THIRD PARTY, NOR USED FOR MANUFACTURING WITHOUT OUR WRITTEN CONSENT, AND HAS TO BE RETURNED TO US IN CASE OF NO USAGE

DIT IS ONZE EIGENDOM EN MAG NIET NAEMAKAAT, HERDRUKT, OVERGEHAKT AM DEROEN, NOCH VOOR FABRIKATIE GEBRUIKT WORDEN, ZONDER ONZE SCHRIFTELIJKE TOELATING. BIJ NIET GEBRUIK IS TERUGZENDING VERPLICHT.